

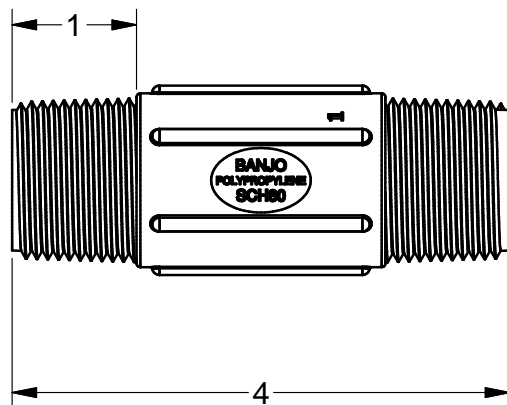
4

3

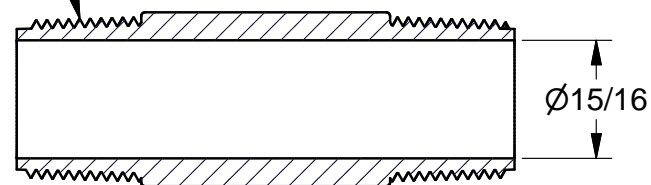
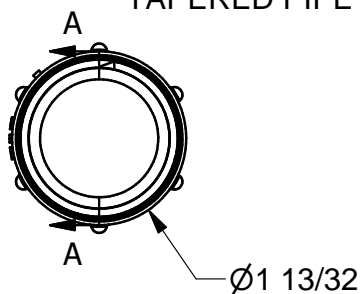


2

1



1 - 1 1/2 ANS BLUNT START
TAPERED PIPE THD



B

B



A

A

Note: Parts are to be bagged.

4

3



2

1



BANJO CORPORATION
150 BANJO DRIVE, CRAWFORDSVILLE, IN 47933
WEB SITE: WWW.BANJOCORP.COM
E-MAIL: SALES1@BANJOCORP.COM

THIS DRAWING AND ALL
INFORMATION CONTAINED THEREON
ARE THE EXCLUSIVE PROPERTY OF
BANJO CORPORATION.

UNLESS SPECIFICALLY NOTED, THIS
DRAWING AND ITEMS SHOWN ON
THIS DRAWING ARE SUBJECT TO
CHANGE AT ANY TIME.

DESCRIPTION
1" X 4" PIPE NIPPLE

PART NUMBER
NIP100-4